

NP 4-Waste compacts mixed soft waste in a special 400 litres waste bin, rolled in on wheels.

Open the door to load the waste material into the roller bin, close the door and the waste is compacted automatically. When the bin is full, just remove it and put an empty one into the compactor.

NP 4W saves transport costs and simplifies daily work in warehouses and backyards. Perfect in fast-food restaurants. It is easy and safe to work with - fast, efficient and silent-running. 4 x ordinary 660 litres waste bins can be replaced by one NP 4W with a 400 litres waste bin(!).

Programmable functions that simplifies operation and increases the capacity is **Plug'n Press**, **Autostart**.

- ▶ Suitable for mixed soft waste
- ▶ A generous feed opening on a minimum of floor space (less than 1 m²)
- ▶ Convenient operating height
- ▶ Total height below 2 m!
- ▶ Very reliable, proven long-lasting performance, even out-doors under a roof
- ▶ Environment-friendly electro-mechanical screw-drive with low maintenance requirement - no hydraulic oil!



A low noise level and minimum space requirement ensures a clean working environment right where the waste is generated.

Distinctness



NP4W has the same control system and same technique and parts as the NVA balers. It is easily adapted for desired additional features.

Efficiency



Efficient sorting near source. Close the door for automatic compaction.

Capacity



Easy to change the specially adapted 400 l waste bin. Use several waste bins for more capacity or for sorting different types of waste.

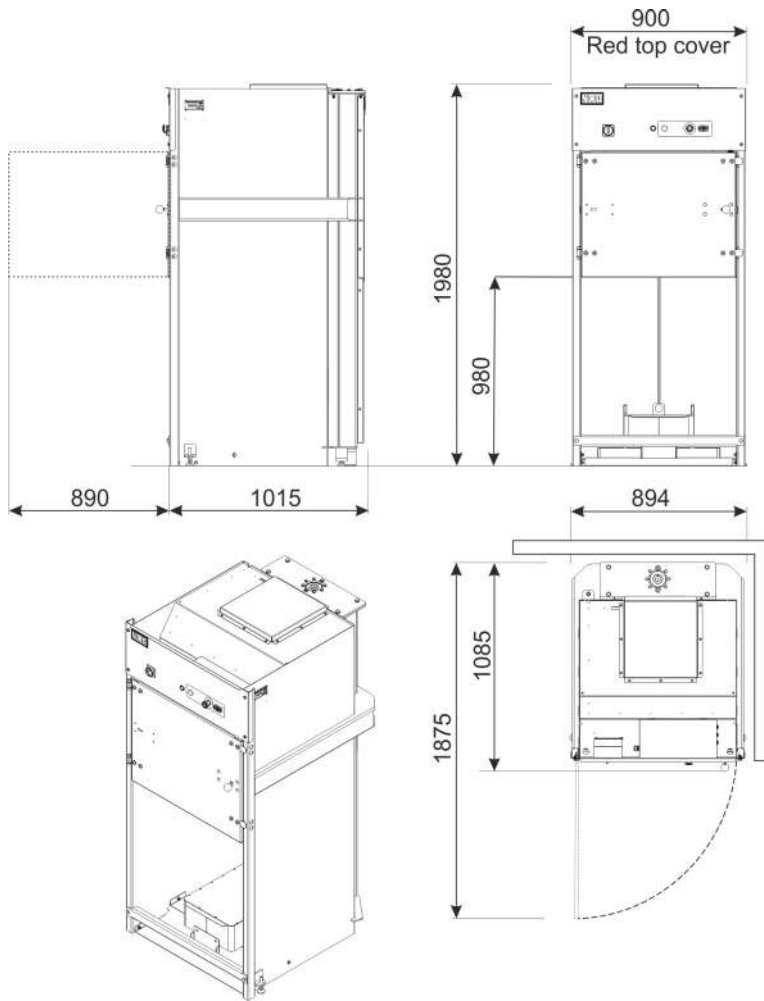
Volume reduction



Save space and reduce the number of collections. NP 4W gives a waste volume reduction of 5:1 - compact more waste and transport less air.

NP4W waste bin compactor

- made 4 waste -



The NP4W has a compact and unique construction. This gives a silent-running machine with small outer dimensions, easily located.



The NP4W is equipped with a feed door lock.



The continuous development always takes place in close co-operation with our users world-wide. The result is a unic product range representing top quality, good design with excellent performance.

All compactors from NVA carry the CE-mark and comply with the safety requirements of the EEC Machinery Directive.



Model	Pressure kN	Weight kg	Feed opening mm	dB(A)
NP 4W	30	465	800 x 450	57

Voltage: 3-phase 400 V in standard version. Other voltages available.

NP 4W is one of the products in our range of balers/compactors - please contact us for more information of other products.

We reserve the right to introduce technical alterations.



NordTech Consulting & Trading Company

Address: Norra Storangsvagn 38
SE-612 42 Finspang - Sweden
Telephone: +46-122273337 / +46-763188020
E-mail: info@nordtechconsulting.se
Website: www.nordtechconsulting.se

